

Connection of the adapter

The adapter must be connected to the red(+) and black(-) connectors of the power supply or of the ACD pro controller.

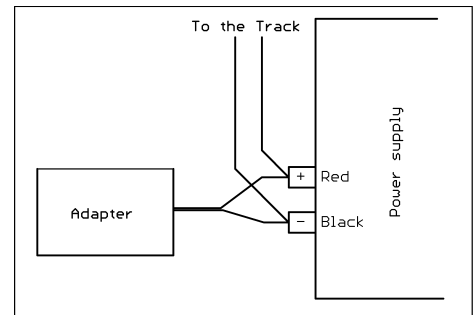
Simply plug the red connectors of the adapter to the red connector of the controller or power supply. Plug also the black connectors together.

Please do not forget to fix the adapter in a correct way.



Technical data:

Voltage 7..22V temporary up to 30V
Current Automatically set 0.5A Max
Wire length 25cm
Display LED. This LED is mainly off.
Dimensions 80x61x21



Important notes:

- Do not use more than one adapter at the same time. If you connect the adapter on the power supply, there is no need to connect an other adapter to the ACD pro. If the ACD pro has an adapter so there is no need for an adapter on the power supply
- The LED on the adapter must stay of. This LED maybe flash while braking. This LED go for a short while after switching the power on. If the LED will stay on for more than 10 seconds then please disconnect the adapter. There must be something wrong.
- Please use the adapter only for connection to regulated power supplies. Not regulated power supplies can damage the adapter.

Plugging examples on ACD pro3, ACD pro5 and a power supply.



Y A T R O N I C

Dipl. Ing. Bassem Yahya

Robert- Schuman- Str. 2a
41812 Erkelenz
Germany

Ingenieurbüro für Elektronikentwicklung

Telefon: 02431 / 64 44
email: acdpro@yatronic.com
www.yatronic.com

Legal Warnings

This Product is not for use by children under 14 years old. All Products manufactured by the IBY are electric-powered high-speed controller intended for use on certain home-racing sets as clearly defined on catalogue or at clubs or professional raceways by competent hobbyists. Follow all recommendations stated on the web site and any printed material supplied by the IBY with the product for best results. The IBY, its agents, dealers and personnel make no representations as of the actual performance of the product.

The use of any part or parts of any manufactured products by IBY may cause injury or death, even if used as intended. Sharp edges on plastic or metal parts may accidentally maimed by any and all such parts or involved in an electrocution from support systems necessary to run this product.

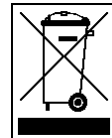
The IBY, its agents and dealers, are in no case responsible in any way for any damage, physical or mental, caused by the use of any part of its product, or the use of any tool, implements, jigs, fixtures either sold or recommended by the IBY, or any other toll, jig, fixture devised by the user.

In case of dispute or claim, the resolution of such will be performed at the expense of the claimant for both parties until a decision will be reached by the sole jurisdiction of the German Court in Erkelenz, Germany, under its arbitration program.

The purchase of any product manufactured or sold by IBY, its agents and / or employees implies full acceptance of the statements posted above.

Please note

- The ACD pro family is build according to the EU regulations. Please do not dispatch the ACD pro via the private waste. Please send the ACD pro to us or make sure to dispatch it according to the regulation in your country.
- Do not pull the connectors via the cable. This will damage the cable and may cause damage to the adapter. The cable are not prepared for such treatment. In general the Manufacturer will not guarantee against damage of the cable.
- The adapter is a maintenance free device. Please do not open the case. If you do so, then we will be not able to
- If you have questions or problems, please contact us by email or fax prior send your ACD to us. We don't accept any unknown parcel.



Y A T R O N I C

Dipl. Ing. Bassem Yahya

Robert- Schuman- Str. 2a
41812 Erkelenz
Germany

Ingenieurbüro für Elektronikentwicklung

Telefon: 02431 / 64 44
email: acdpro@yatronic.com
www.yatronic.com